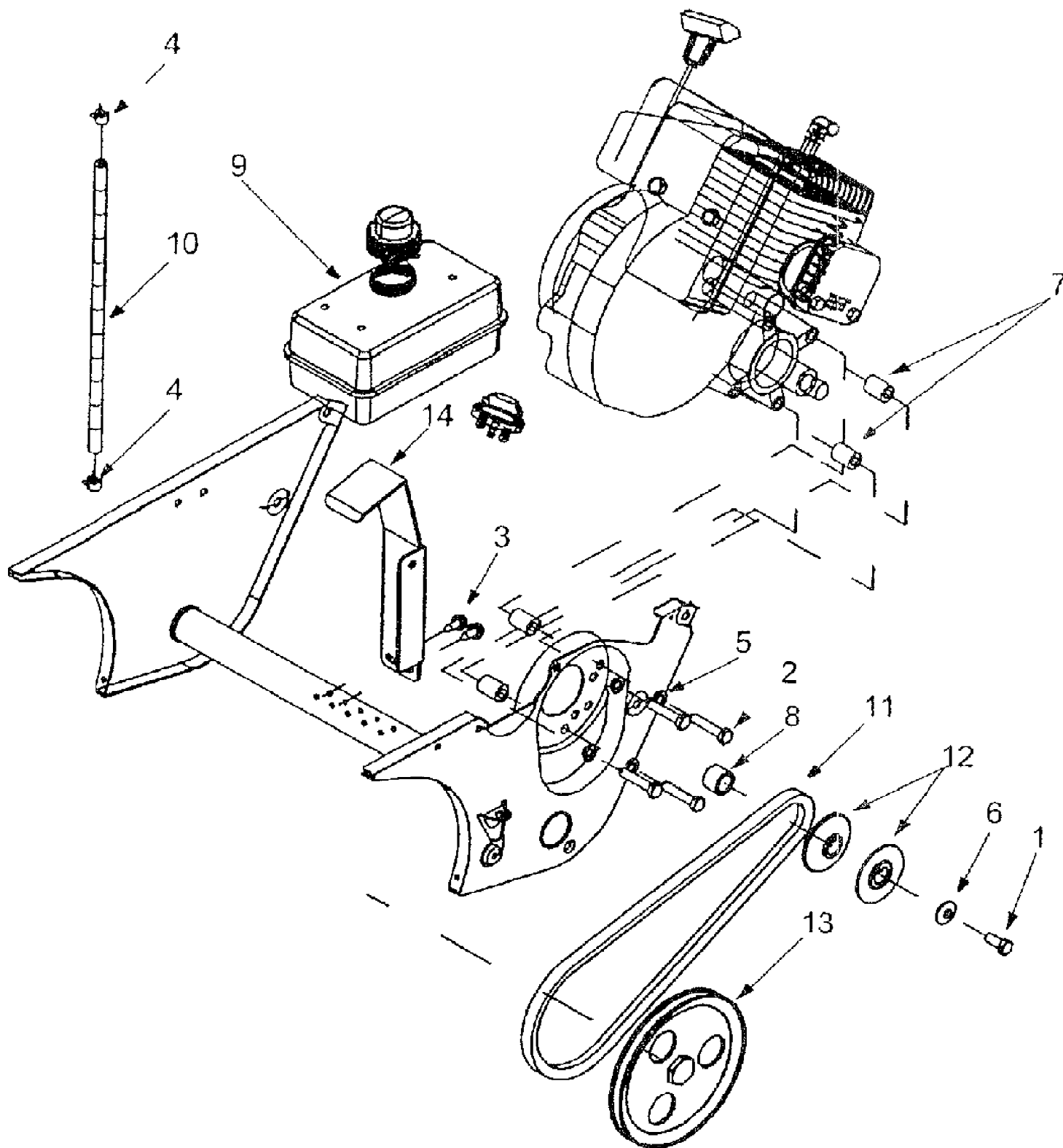


31A-140-000 Snow Thrower 140 (2001)
Controls And Shroud

Page 2 of 10

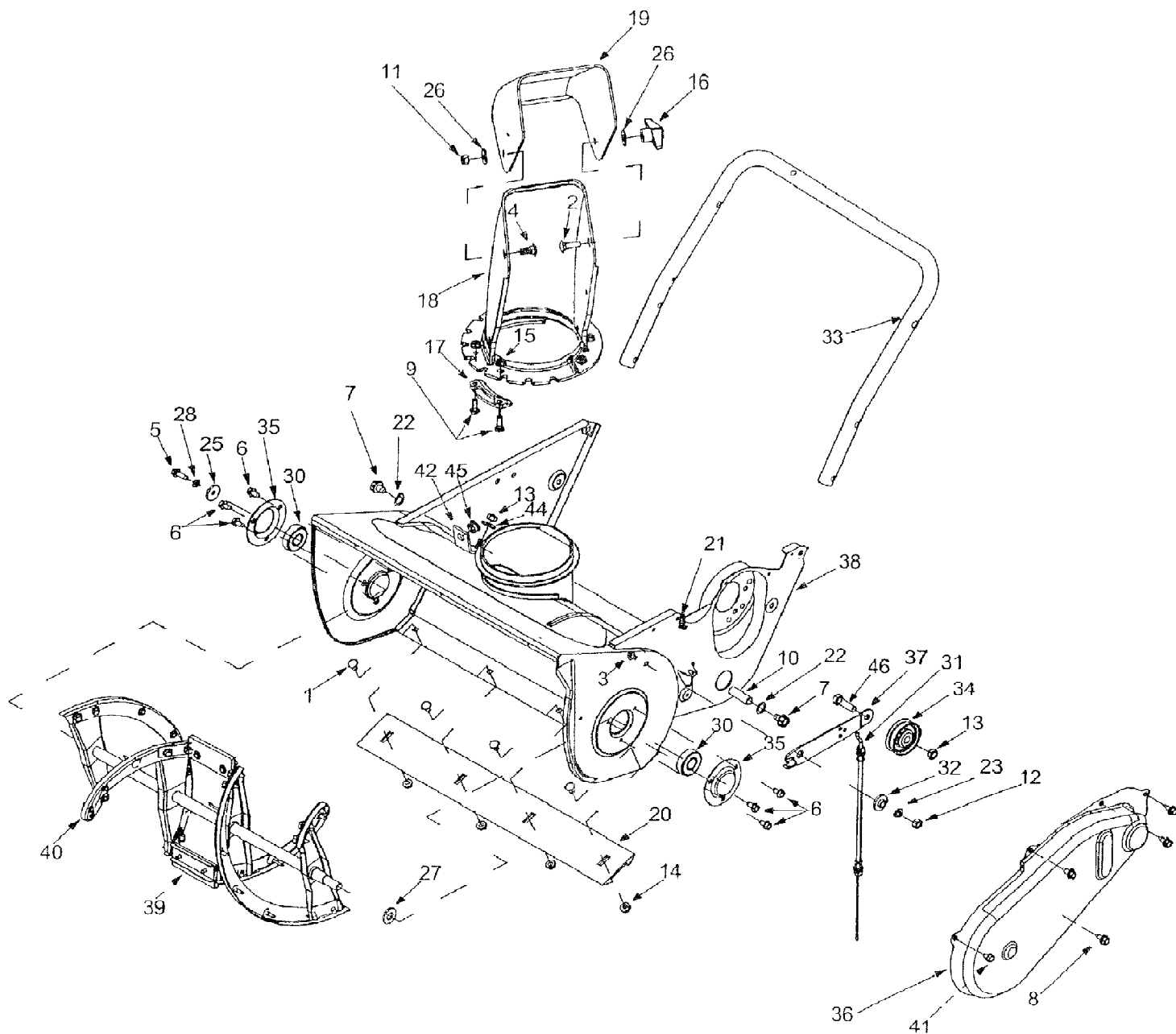
Ref #	Part Number	Qty	S/P/F	Description
1	684-0056	1		Dash-21"
2	710-1090	1	/P	Hex Flange Screw
3	710-0895	1		Hex Tap Screw
4	710-1268	1	/P	Hex Tap Screw
5	712-0252	1	/P	Hex Nut
6	712-3010	1	S	Hex Nut
7	714-0104	1	S	Cotter Pin
8		1		UNKNOWN
9	720-0201A	1	/P	Chute Crank Knob
10	725-0201	1	S	Key-Ignition
11	725-1425	1	S	Switch-Key
12	726-0100	1	S	Nut Push
13	731-0702	1		Shroud
14	731-1133B	1	S	Plug
15	736-0119	1	S	Lock Washer
16	736-0185	1	S	Flat Washer
17	736-0225	1	/P	Internal Lock Washer
18	736-0400	1	S	Flat Washer
20	741-0475	1	S	Bushing
21	784-5178A	1	/P	Bracket, Chute Crank
22	784-5344	1		Crank Assembly, Chute
23	714-0111	1	S	Cotter Pin Optional chute crank assembly on Model 140 only
24	747-0737	1	S	Chute Crank-Upper Optional chute crank assembly on Model 140 only
26	684-0126	1	S	Chute Crank-Lower Optional chute crank assembly on Model 140 only
27	750-0785	1	S	Spacer Optional chute crank assembly on Model 140 only
29	735-0234	1		Grommet - Rubber Optional chute crank assembly on Model 140 only
30	747-0697	1	/P	Eyebolt - Chute Crank Optional chute crank assembly on Model 140 only
31	712-3010	1	S	Nut - Hex Optional chute crank assembly on Model 140 only
32	736-0451	1	S	Washer-Saddle Optional chute crank assembly on Model 140 only



31A-140-000 Snow Thrower 140 (2001)
Drive And Fuel Tank

Page 4 of 10

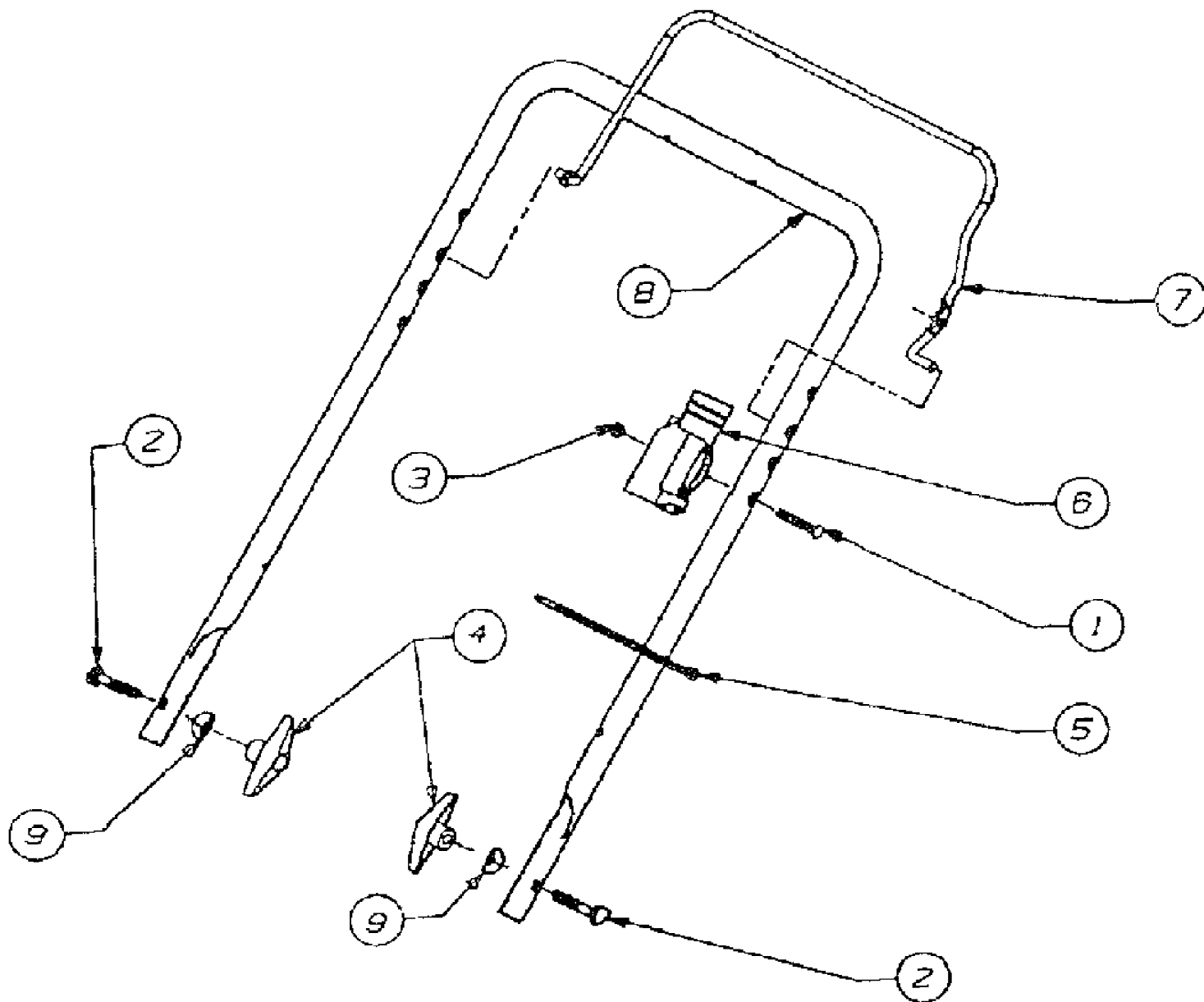
Ref #	Part Number	Qty	S/P/F	Description
1	710-0157	1	/P	Hex Screw 5/16-24 x 0 75"
2	710-0805	1	/P	Hex Screw 5/16-18 x 1 5"
3	710-1652	1	/P	Self-Tapping Screw 1/4-20 x 625"
4	726-0205	1	/P	Hose Clamp
5	736-0119	1	S	Lock Washer
6	736-0242	1	/P	Beleville Washer
7	750-0589	1	S	Spacer
8	750-0716	1		Spacer
9	751-0352	1	/P	Gas Tank : 1 quart
10	751-0535	1		Fuel Line Hose
11	754-0367	1	S	V-Belt
12	756-04168	1		V-Pulley Half
13	756-0550	1		V-Pulley
14	784-5177	1	S	Engine Support Bracket
	OEM-390-996	1		Electric Start Kit (Optional)



31A-140-000 Snow Thrower 140 (2001)
General Assembly

Page 6 of 10

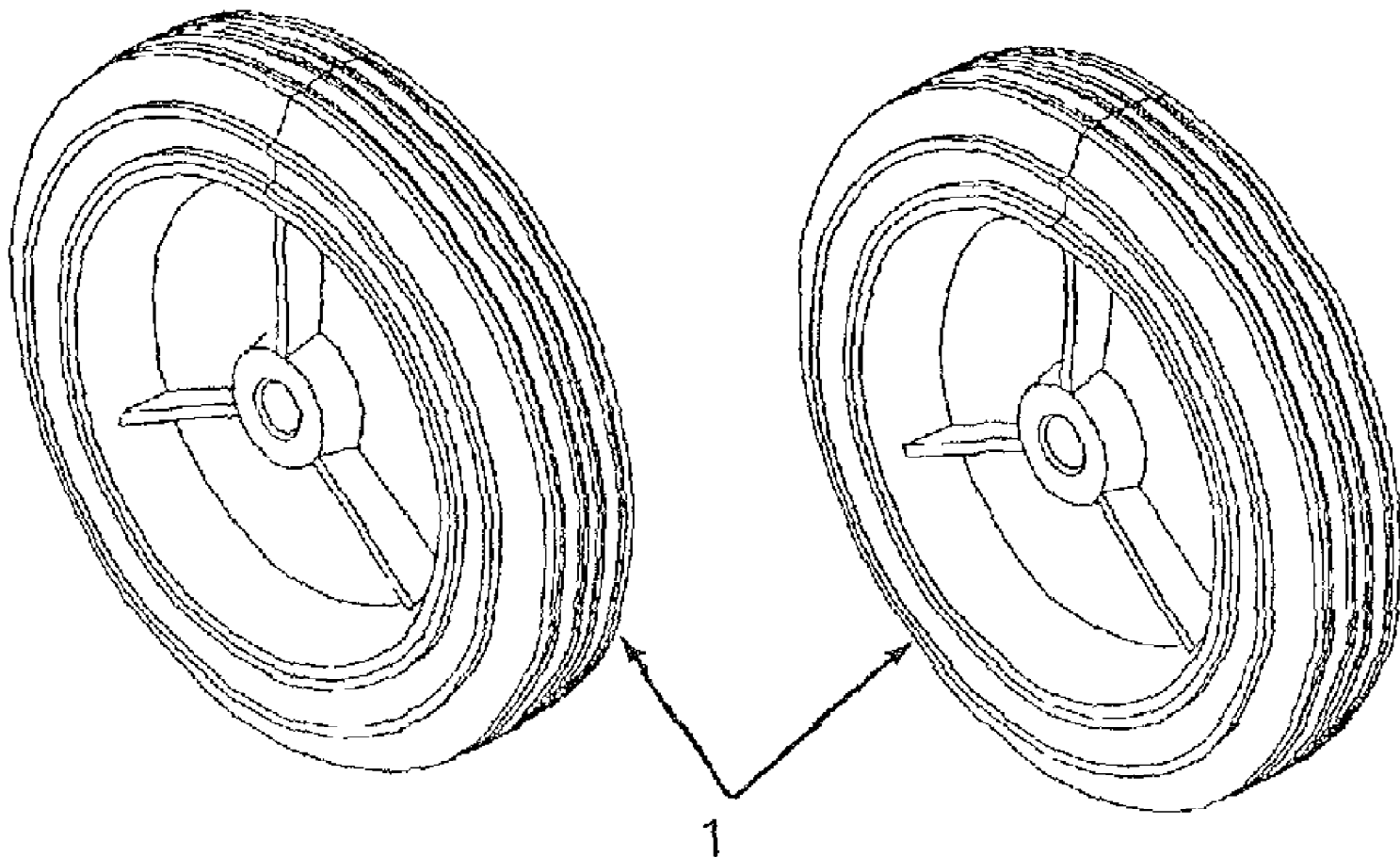
Ref #	Part Number	Qty	S/P/F	Description
1	710-0167	1	/P	Carriage Bolt
2	710-0276	1	/P	Carriage Bolt
3	710-0323	1	/P	Pan Head Screw
4	710-0451	1	/P	Carriage Bolt
5	710-0642	1	/P	Hex Washer Screw
6	710-1005	1	S	Hex Washer Screw
7	710-0773	1		Hex Washer Screw
8	710-0896	1	/P	Hex Washer Screw
9	710-3015	1	/P	Hex Cap Screw
10	711-0848A	1	S	Axle
11	712-0429	1	S	Hex Center Lock Nut
12	712-3010	1	S	Hex Nut
13	712-0116	1	S	Hex Lock Nut
14	712-3027	1	S	Hex Lock Flange Nut
15	712-3027	1	S	Hex Lock Flanged Nut
16	720-0284	1	S	Knob
17	731-0851A	1	/P	Chute Keeper
18	731-09158	1		Lower Chute
19	731-0921	1	S	Upper Chute
20	731-1033	1	/P	Shave Plate
21	732-0357A	1	S	Extension Spring
22	736-0108	1	S	Flat Washer
23	736-0119	1	S	Lock Washer
25	736-0176	1	S	Flat Washer
26	736-0159	1	S	Washer
27	736-0326	1	S	Flat Washer
28	736-0329	1	S	Lock Washer
30	741-0600	1	S	Ball Bearing
31	746-0910A	1	S	Cable-Clutch
32	748-0234	1	/P	Spacer
33	749-0796	1	S	Handle-Lower
34	756-0313	1	/P	Flat Idler
35	784-5174	1	S	Bearing Cup
36	784-5176	1		Cover-Belt
37	784-51758	1		Idler/Brake Bracket
38	684-0114	1	S	Blower Housing
39	784-5485	1	S	Auger Ass'y Comp
40	753-0613	1		Auger Rubber Replacement
41	710-0352	1	/P	Hex Washer Screw
42	784-5720	1	S	Crank Bracket
?43	710-0451	1	/P	Cap Screw
44	736-0242	1	/P	Bell Washer
45	741-0475	1	S	Bushing
46	710-0191	1	/P	Hex Screw



31A-140-000 Snow Thrower 140 (2001)
Handle Assembly

Page 8 of 10

Ref #	Part Number	Qty	S/P/F	Description
1	710-1270	1		Oval C-Sunk Screw
2	710-0487	1	/P	Carriage Bolt
3	712-0324	1	/P	Lock Nut
4	720-0284	1	S	Handle Knob
5	725-0157	1	/P	Cable Tie
6	746-0883	1		Control Lever
7	747-0946	1		Control Handle Assembly
8	749-0705	1		Upper Handle
9	736-0451	1	S	Saddle Washer



31A-140-000 Snow Thrower 140 (2001)
Wheel Assembly

Ref #	Part Number	Qty	S/P/F	Description
1	734-1176	1		Wheel Ass'y